

# TPAG-01

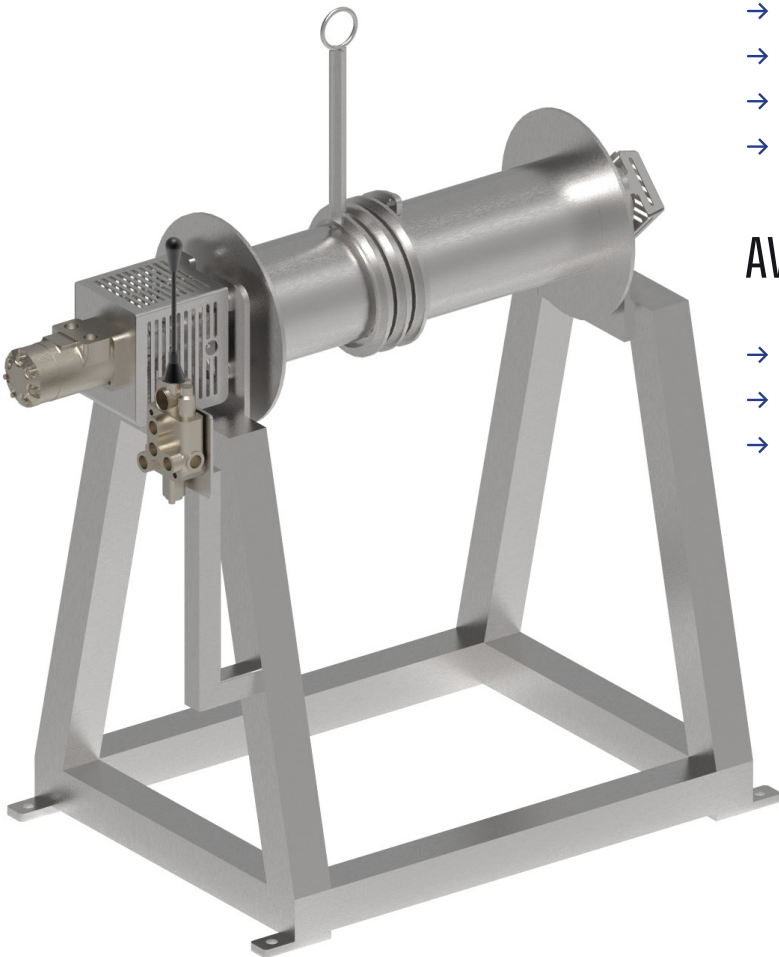
## LAMB DEHAIRING SYSTEM

Skinnering system designed for lamb. Built for fast and efficient use, it includes chain attachments. For use from top to bottom.

- Built with 304 stainless steel
- Electric or hydraulic motor
- Mechanical components for food processing
- Manual control

### AVAILABLE OPTIONS:

- Adapted rail system
- Full Automation
- Delivery for use on demand



FOLLOW US



**LACAL**

ADDRESS

**35 BOULET STREET, PRINCEVILLE (QUEBEC) G6L 4M2**