

CODM-01

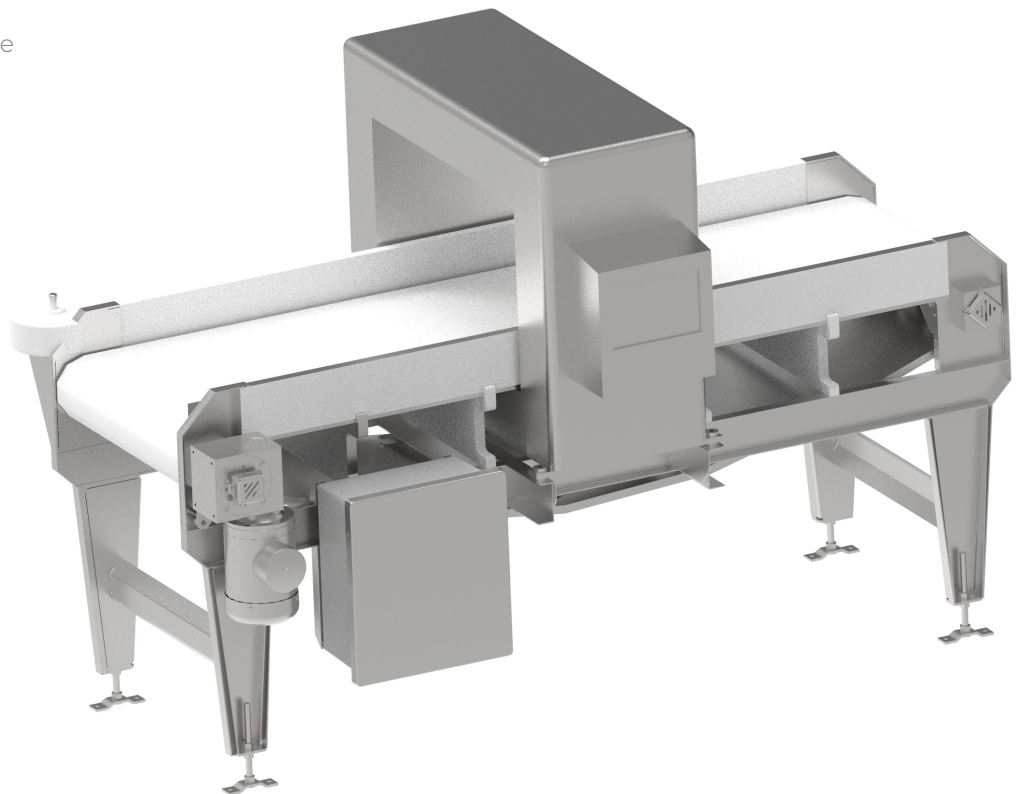
— METAL DETECTION CONVEYOR

Metal detection conveyors are custom built according to the type of product to be analyzed and their integration into the production line. Several models are available, depending on your requirements

- Built in 304 stainless steel
- Electric motor
- Robust
- Electrical box

AVAILABLE OPTIONS:

- Integration on production line
- Exit chute
- Custom sizes
- Support structure
- Full Automation
- Ejection system



LACAL

FOLLOW US



WEBSITE
LACAL.CA

TELEPHONE NUMBER
819 364-3229

TOLL FREE NUMBER
1 888 364-3229

EMAIL
INFO@LACAL.CA